

# CDC-0252-0500-1-ACB M1-R



## Performance features

- + Can be used for openings for smoke exhaust, D+H Euro SHEV in accordance with EN 12101-2 and for daily ventilation
- + With BSY+ motor and synchronised electronics controlled via microprocessor
- + Perfectly suited for profile integrated and surface mounted installation
- + Low running noises thanks to the innovative acoustic decoupling of the drive components
- + Universal bracket sets for installation of all commonly available profile systems
- + Flexible overall lengths for customised strokes
- + Available in all RAL colours
- + Can be used for virtually all window opening types thanks to the left and right drive
- + Integrated ACB (Advanced Communication Bus) bus interface with Modbus RTU protocol
- + The drive is integrated directly via open bus communication through the ACB (Advanced Communication Bus), e.g. in a building management system

## Approvals / Certificates

Details of approval on request.



5014068.16004



Article also available with the following permissions under other article numbers. Technical data may deviate.



# Technical data

## CDC-0252-0500-1-ACB M1-R

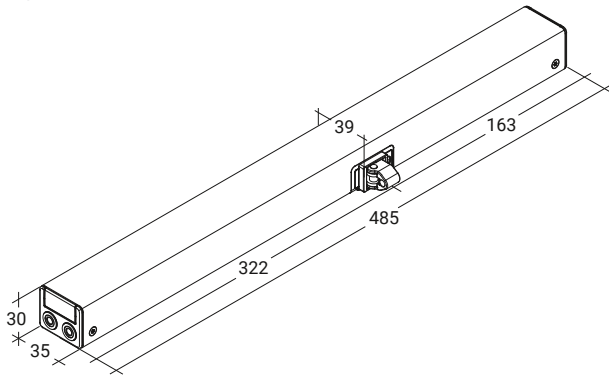
<b>Supply</b>	24 V DC / $\pm 15\%$ / 0,8 A
<b>Duty cycle</b>	30 % (ON: 3 min. / OFF: 7 min.)
<b>Force of pressure</b>	250 N
<b>Tensile force</b>	250 N
<b>Nominal locking force **</b>	1500 N
<b>Service life</b>	20000 double strokes *
<b>Stroke</b>	500 mm
<b>OPEN running speed</b>	6.7 mm/s
<b>OPEN running speed - SHEV</b>	13.6 mm/s
<b>CLOSED running speed</b>	6.7 mm/s
<b>Type of protection</b>	IP 32
<b>Emission sound pressure level</b>	LpA $\leq$ 35 dB(A)
<b>Temperature range</b>	-15 °C (-5 °C ***) ... +75 °C
<b>Fire resistance</b>	B300 (30 min / 300 °C)
<b>Housing</b>	Aluminium
<b>Surface</b>	Powder-coated
<b>Colour</b>	White aluminium (~ RAL 9006)
<b>Connection</b>	2.5 m silicone cable
<b>W x H x D</b>	485 x 30 x 39 mm
<b>Weight</b>	1.2 kg
<b>Remark</b>	Right type
<b>Art. No.</b>	26.100.55

\* For vertical use, please consult with D+H Sales!

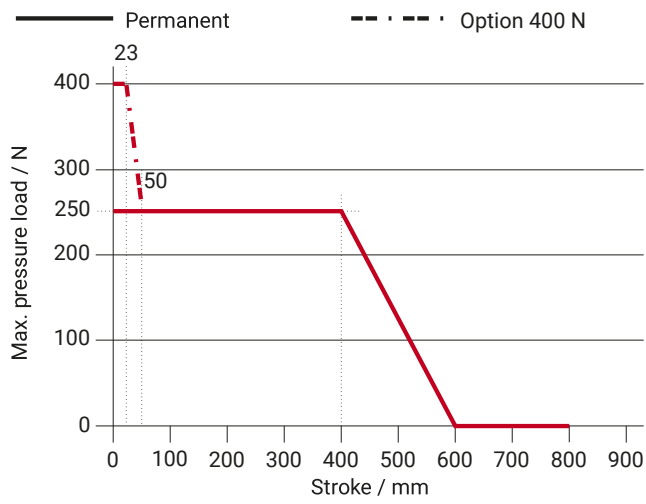
\*\* Depending on the mounting, \*\*\* in accordance with VdS 2580

# Dimensions

All specifications in mm



# Pressure load diagram



# Possible applications

- + Mounted installation
- + Application force
- + Integrated installation
- + Application tension
- + Frame mounting
- + Trapezoidal application
- + Sash mounting
- + Drawbridge application

