

DXD 300/1000-BSY+ OT-HS



Performance features

- + Can be used for openings for smoke exhaust, D+H Euro SHEV in accordance with EN 12101-2 and for daily ventilation
- + With BSY+ motor and synchronised electronics controlled via microprocessor
- + High-speed function (HS) for especially fast opening windows in case of fire (SHEV)
- + Option of up to 4 drives in one synchronous group
- + Groove in the drive tube for flexible installation and configuration of the swivel range
- + Option of cable infeed above and below
- + Programmable drive functions and different drive parameters
- + Running speed in CLOSED direction decreases to 5 mm/s (passive closing edge protection)
- + Time-controlled reversing when an obstacle is detected in the CLOSED direction (active closing edge protection)

Approvals / Certificates

Details of approval on request.



S014068.18004



Article also available with the following permissions under other article numbers. Technical data may deviate.



Technical data

DXD 300/1000-BSY+ OT-HS

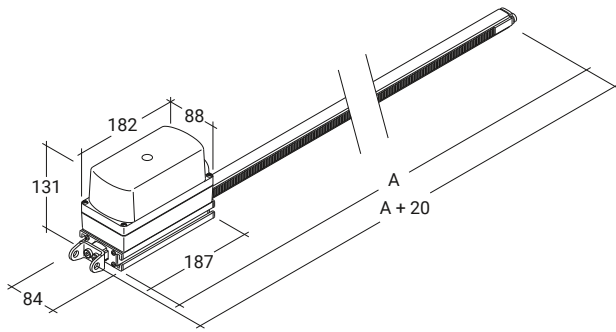
Supply	24 V DC / ±15 % / 5 A
Duty cycle	30 % (ON: 3 min. / OFF: 7 min.)
Force of pressure	3000 N
Tensile force	2000 N
Nominal locking force **	2800 N
Service life	20000 double strokes *
Stroke	1000 mm
OPEN running speed	7.1 mm/s
OPEN running speed - HS	17 mm/s
CLOSED running speed	7.1 mm/s
Type of protection	IP 64
Emission sound pressure level	LpA ≤ 70 dB(A)
Temperature range	-15 °C (-5 °C ***) ... +75 °C
Fire resistance	B300 (30 min / 300 °C)
Housing	Aluminium / Polycarbonate
Surface	Powder-coated
Colour	White aluminium (~ RAL 9006)
Connection	2.5 m silicone cable
Dimension A	1206 mm
Weight	6.7 kg
Art. No.	20.027.20

* For vertical use, please consult with D+H Sales!

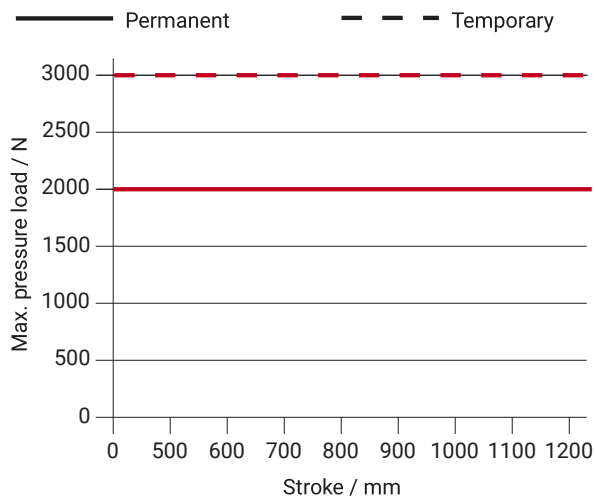
** Depending on the mounting, *** in accordance with VdS 2580

Dimensions

All specifications in mm



Pressure load diagram



Possible applications

- + Mounted installation
- + Side installation
- + Frame mounting
- + Application force
- + Sash mounting
- + Application tension
- + Installation opposite the hinge

