

# KA 54-BSY+



## Performance features

- + Can be used for openings for smoke exhaust, D+H Euro SHEV in accordance with EN 12101-2 and for daily ventilation
- + With BSY+ motor and synchronised electronics controlled via microprocessor
- + High-speed function (HS) for especially fast opening windows in case of fire (SHEV)
- + Option of up to 8 drives in one synchronous group
- + Supply and signals at KA 54-BSY+ for up to 2 drives can be looped in series
- + Special chain stabilisation
- + Relief of pressure on window gasket after closing process
- + Programmable drive functions and different drive parameters
- + Running speed in CLOSED direction decreases to 5 mm/s (passive closing edge protection)
- + Time-controlled reversing when an obstacle is detected in the CLOSED direction (active closing edge protection)

## Approvals / Certificates

Details of approval on request.



G 503007



5014068.18005-1



Article also available with the following permissions under other article numbers. Technical data may deviate.



# Technical data

## KA 54-BSY+

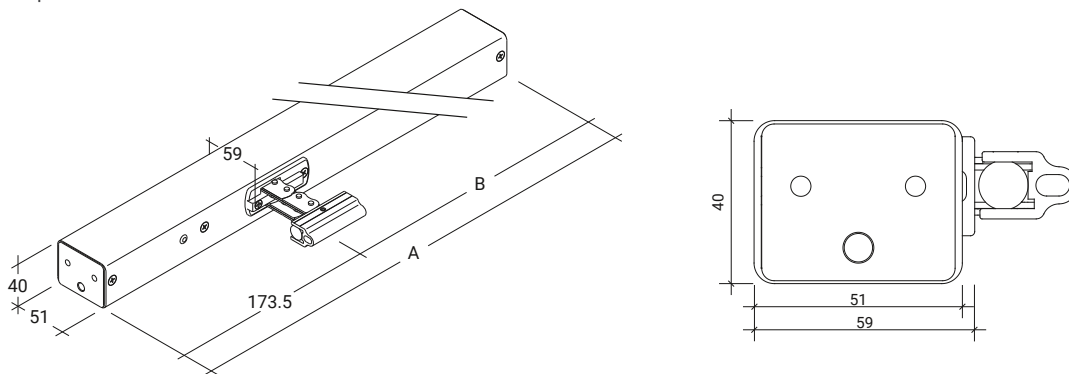
|                                      |  |
|--------------------------------------|--|
| <b>Supply</b>                        | 24 V DC / $\pm 15\%$ / 1,4 A   |
| <b>Duty cycle</b>                    | 30 % (ON: 3 min. / OFF: 7 min.)  |
| <b>Force of pressure</b>             | 500 N  |
| <b>Tensile force</b>                 | 500 N  |
| <b>Nominal locking force **</b>      | Max. 2600 N (2000 N ***)   |
| <b>Service life</b>                  | 20000 double strokes *   |
| <b>Stroke</b>                        | Configurable   |
| <b>OPEN running speed</b>            | 11.8 mm/s  |
| <b>OPEN running speed - SHEV</b>     | 13.3 mm/s  |
| <b>CLOSED running speed</b>          | 11.8 mm/s  |
| <b>Type of protection</b>            | IP 32  |
| <b>Emission sound pressure level</b> | LpA $\leq$ 70 dB(A)  |
| <b>Temperature range</b>             | -15 °C (-5 °C ***) ... +75 °C  |
| <b>Fire resistance</b>               | B300 (30 min / 300 °C)   |
| <b>Housing</b>                       | Aluminium  |
| <b>Surface</b>                       | Powder-coated  |
| <b>Colour</b>                        | Special colour of your choice (Special colour according to RAL/DB/NCS) |
| <b>Connection</b>                    | Silicone cable   |
| <b>Art. No.</b>                      | 26.010.00  |

\* For vertical use, please consult with D+H Sales!

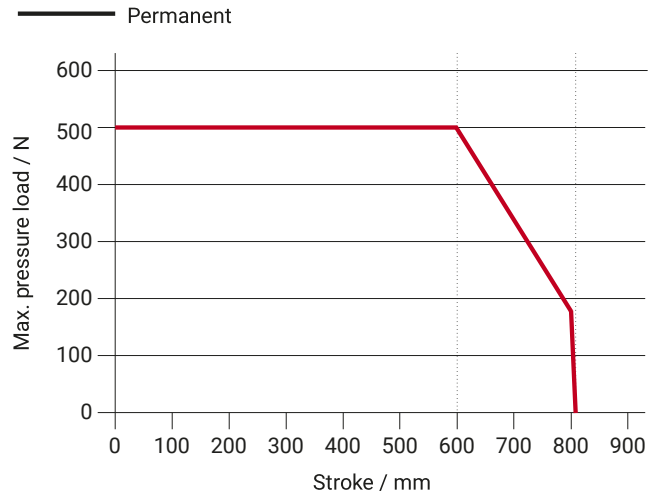
\*\* Depending on the mounting, \*\*\* in accordance with VdS 2580

## Dimensions

All specifications in mm



# Pressure load diagram



# Possible applications

- + Mounted installation
- + Application force
- + Frame mounting
- + Application tension
- + Sash mounting
- + Drawbridge application

