

KA 66/500-TW065



Performance features

- + Can be used for openings for smoke exhaust, D+H Euro SHEV in accordance with EN 12101-2 and for daily ventilation
- + With BSY+ motor and synchronised electronics controlled via microprocessor
- + High-speed function (HS) for especially fast opening windows in case of fire (SHEV)
- + 2 drive chains for optimal power application to the sash
- + Special chain stabilisation
- + Relief of pressure on window gasket after closing process
- + Electronic force and position control
- + Programmable drive functions and different drive parameters
- + Running speed in CLOSED direction decreases to 5 mm/s (passive closing edge protection)
- + Time-controlled reversing when an obstacle is detected in the CLOSED direction (active closing edge protection)

Approvals / Certificates

Details of approval on request.



G 503007



5014068.18005-1



Article also available with the following permissions under other article numbers. Technical data may deviate.



Technical data

KA 66/500-TW065

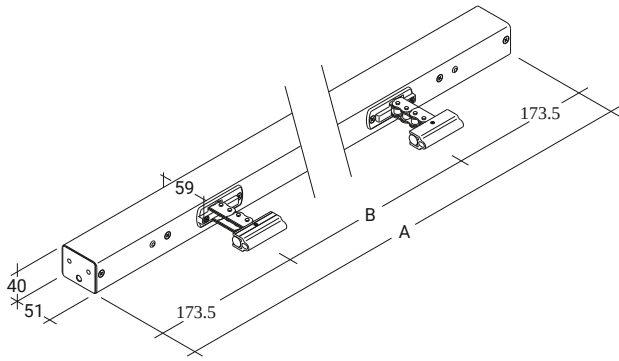
| | |
|--------------------------------------|---------------------------------|
| Supply | 24 V DC / $\pm 15\%$ / 2 A |
| Duty cycle | 30 % (ON: 3 min. / OFF: 7 min.) |
| Force of pressure | 600 N |
| Tensile force | 600 N |
| Nominal locking force ** | 3000 N |
| Service life | 20000 double strokes * |
| Stroke | 500 mm |
| OPEN running speed | 11.8 mm/s |
| OPEN running speed - SHEV | 12.2 mm/s |
| CLOSED running speed | 11.8 mm/s |
| Type of protection | IP 32 |
| Emission sound pressure level | LpA \leq 70 dB(A) |
| Temperature range | -15 °C (-5 °C ***) ... +75 °C |
| Fire resistance | B300 (30 min / 300 °C) |
| Housing | Aluminium |
| Surface | Powder-coated |
| Colour | White aluminium (~ RAL 9006) |
| Connection | 2.5 m silicone cable |
| Dimension A | 997 mm |
| Dimension B | 650 mm |
| W x H x D | 997 x 40 x 59 mm |
| Weight | 4 kg |
| Art. No. | 26.013.20 |

* For vertical use, please consult with D+H Sales!

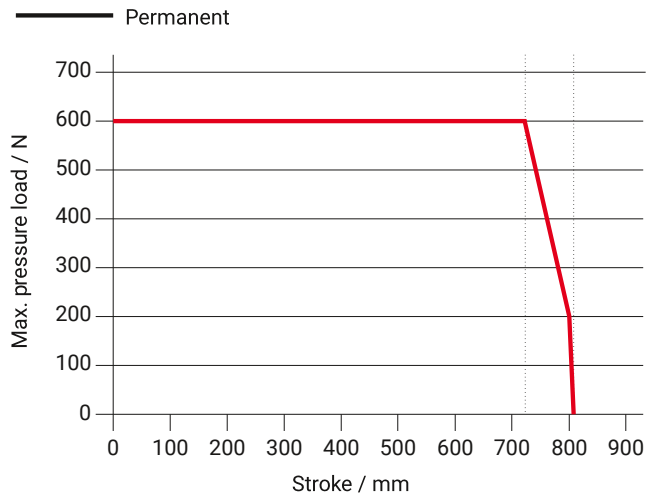
** Depending on the mounting, *** in accordance with VdS 2580

Dimensions

All specifications in mm



Pressure load diagram



Possible applications

- + Mounted installation
- + Frame mounting
- + Sash mounting

- + Application force
- + Application tension

